

### Key Features

- Water submersible LED fixture also;
- Full colour mixing capabilities;
- Underwater application suggested for best heat dissipation;
- Proprietary triple water proofing technology applied;
- Two meters underwater submersible;
- Housing treated with bromine and chlorine.
- Applicable in fountain, pool, theme park, etc. for lighting and decoration  
(Protection Rating: IP68)

### Technical Specifications

Input Voltage: DC 24V

LED Quantities: 2 red/2 green/2 blue (1W)

6 amber (1W)

2 red/2 green/2 blue (3W)

6 amber (3W)

Control Signal: DMX512

Control Channel: 4CH

Power Consumption: 7W/7W/20W/20W

Protection Rating: IP 68

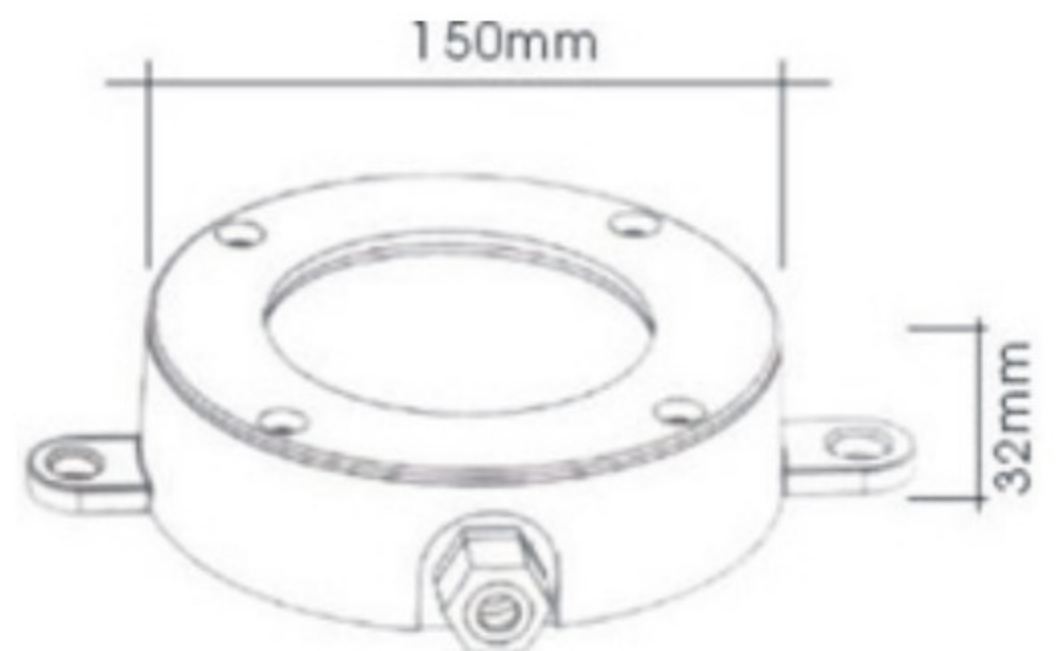
Transformer: needed but optional



### • Effect Image



### • Dimension Image



**A-020 High Power Fountain Light**