

Key Features

- Water submersible LED fixture also;
- Full colour mixing capabilities;
- Underwater application suggested for best heat dissipation;
- Proprietary triple water proofing technology applied;
- Two meters underwater submersible;
- Housing treated with bromine and chlorine.
- Applicable in fountain, pool, theme park etc. for lighting and decoration (Protection Rating: IP68)

Technical Specifications

Input Voltage: DC 24V

LED Quantities: 3 red/3 green/3 blue (1W)

9 amber (1W)

3 red/3 green/3 blue (3W)

9 amber (3W)

Control Signal: DMX512

Control Channel: 4CH

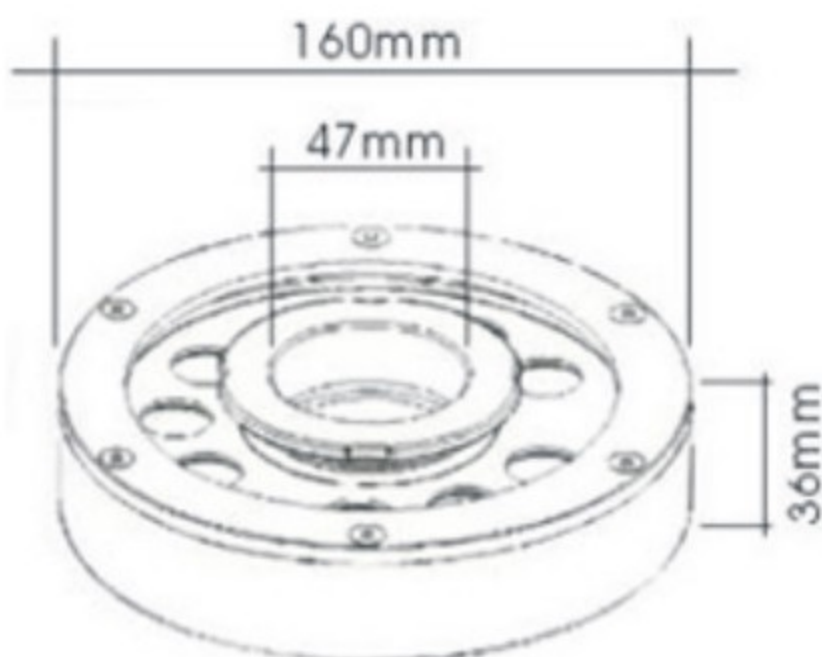
Power Consumption: 10W/10W/30W/30W

Protection Rating: IP 68

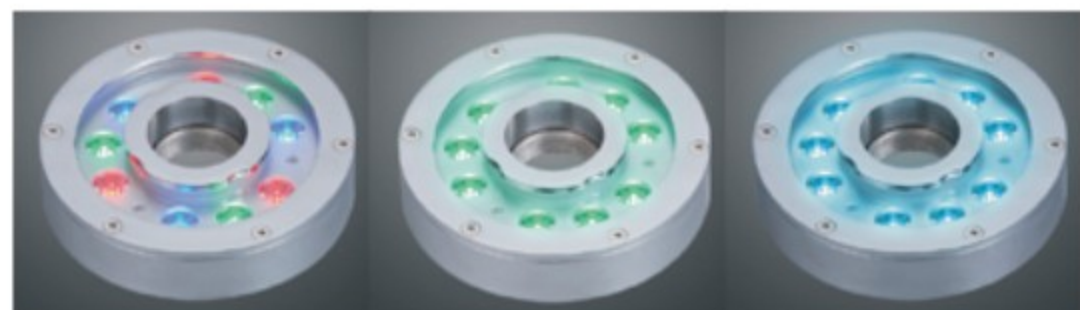
Transformer: needed but optional



• Dimension Image



• Effect Image



A-019 High Power Fountain Light