

Key Features

- Newly-designed High Power LED aqua;
- Stainless steel housing
- Attractive appearance
- Easy to use;
- Angles adjustable to achieve the best decoration effect
- RGB or single color and controllable by DMX512;
- 1W LED or 3W LED selectable
- Applicable in fountain, pool, theme park, etc. for lighting and decoration
(Protection rating: IP 68)

Technical Specifications

Input Voltage: DC 24V

LED Quantities: 6 red/6 green/6 blue (1W)

18 amber (1W)

6 red/6 green/6 blue (3W)

18 amber (3W)

Control Signal: DMX512

Control Channel: 4CH

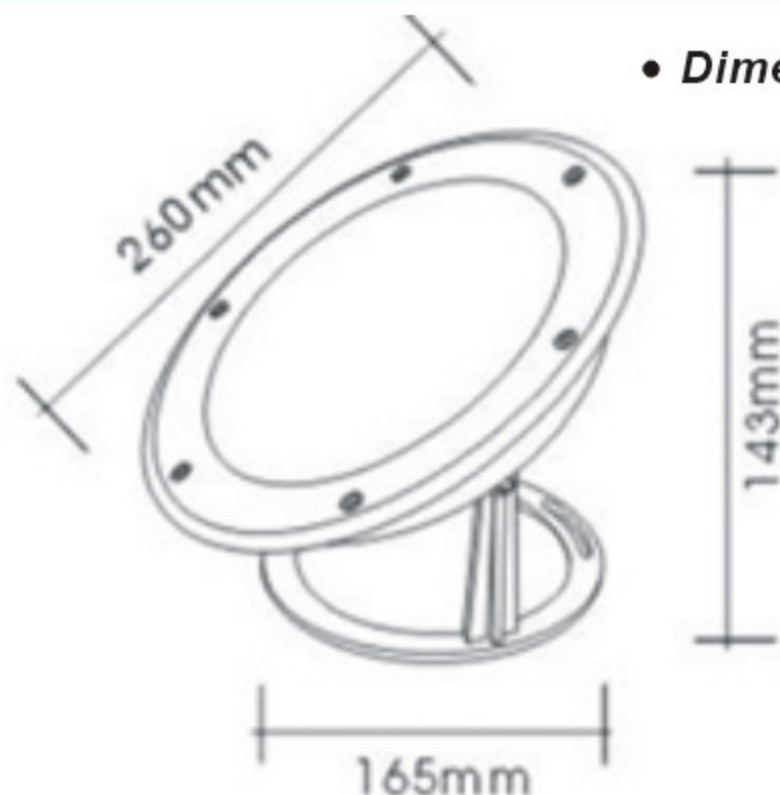
Power Consumption: 20W/20W/60W/60W

Protection Rating: IP 68

Transformer: needed but optional



• Dimension Image



A-014 High Power Pool Light