

## ■ Stage and Indoor Series

### Key Features

- 16.7 million colours, which are a mixture of red, green and blue LEDs
- Electronic dimmer for light output adjustment from 0 to 100%
- High speed full colour strobe or light dimming
- 40° - 60° working temperature

Applicable in stage, bar, nightclub, KTV, etc

### Technical Specifications

Input Voltage: AC 90-240V/50-60HZ

LED Quantities: 60 red/60 green/57 blue (10mm )

12 red/12 green/12 blue(1W)

36 white (1W)

12 red/12 green/12 blue(3W)

36 white (3W)

10 red/10 green/10 blue/6 amber (3W)

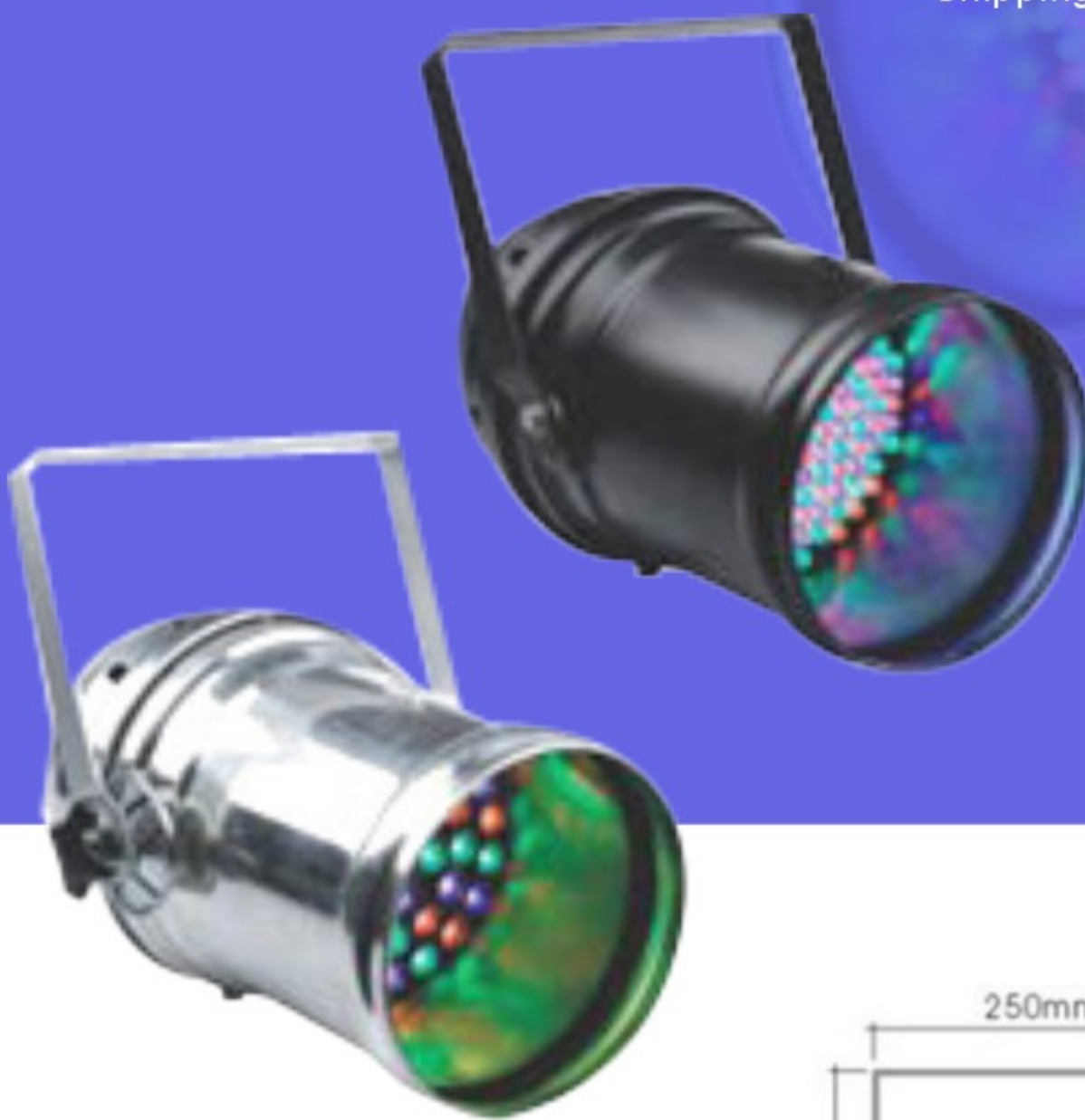
Control Signal: DMX512

Control Channel: 4~6CH

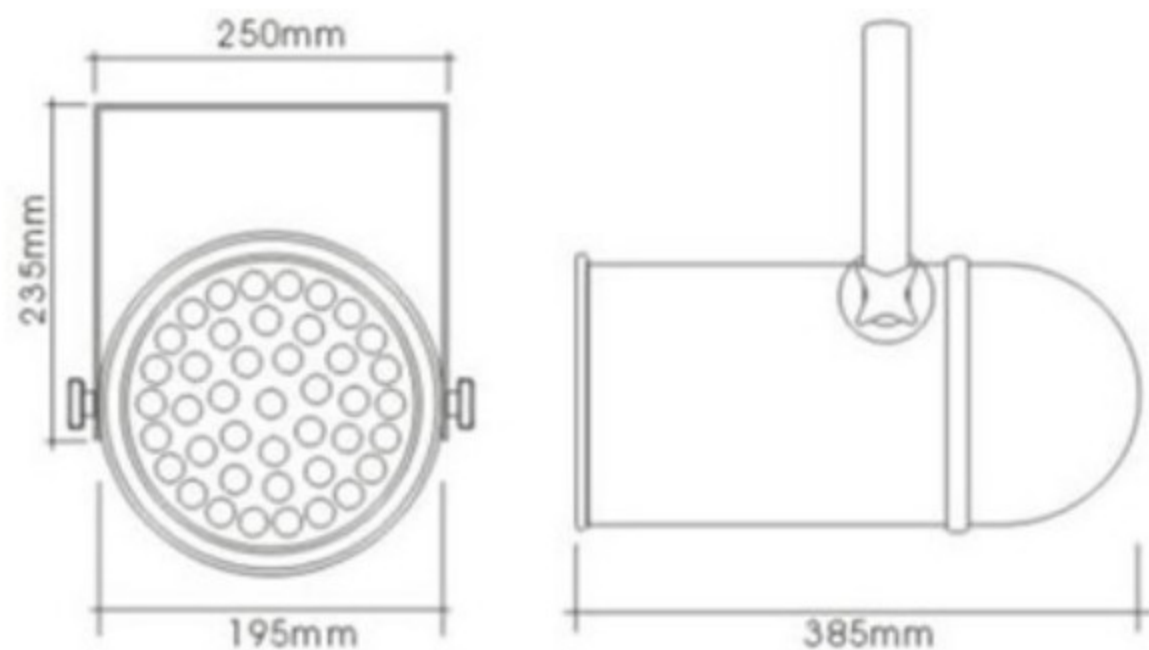
Power Consumption: 36W/40W/40W/120W/120W/120W

Gross Weight: 2.4kg

Shipping Dimension:225×225×465mm



### • Dimension Image



**SI-017 LED PAR 64**