

■ Stage and Indoor Series

Key Features

- 16.7 million colours, which are a mixture of red, green and blue or amber LEDs
- Ultra-violet version available
- Auto operation with built-in programs
- DMX operation with DMX controller
- High speed full colour strobe or light dimming
- Master-slave operation
- 40° - 60° working temperature
- Applicable in stage, bar, nightclub, etc



Technical Specifications

Input voltage: AC 90-240V/50-60HZ

LED Quantities: 60 red/60 green/57 blue (10mm)

12 red/12 green/12 blue (1W)

36 white (1W)

12 red/12 green/12 blue (3W)

36 white (3W)

10 red/10 green/10 blue/6 amber (3W)

177 ultra-violet LEDs (10mm)

44*1W RGB or RGB+Amber

44*3W RGB or RGB+Amber

52*1W RGB or RGB+Amber

52*3W RGB or RGB+Amber

Control Signal: DMX512 or Sound Activated

Control Channel: 4CH/6CH

Power Consumption: 36W/40W/40W/120W/120W/120W

155W/150W/62W/180W

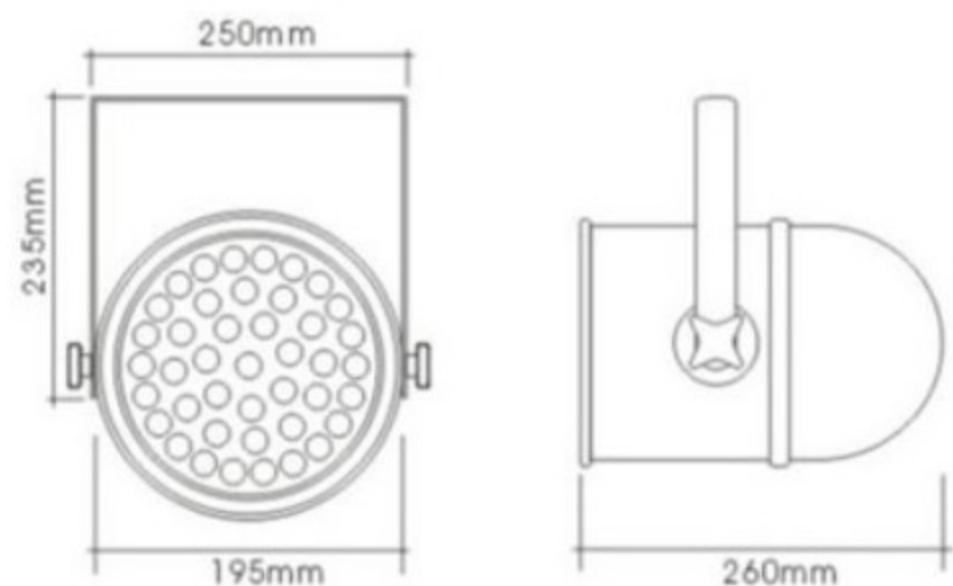
Gross Weight: 2.2kg/3kg

Dimension: 225×225×325mm

• Effect Image



• Dimension Image



SI-018 LED PAR 64